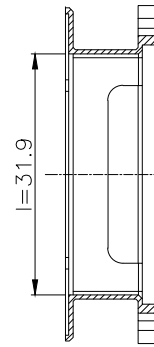
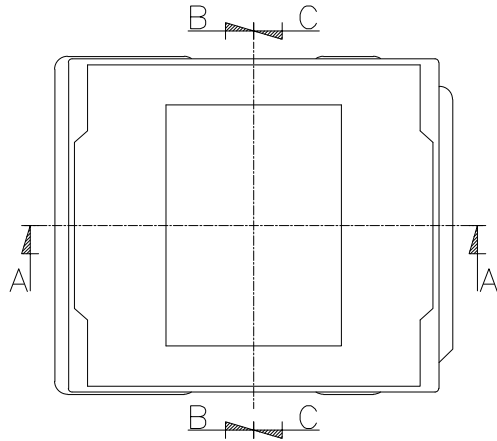
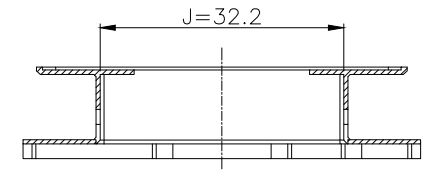
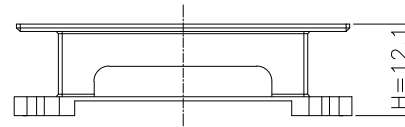
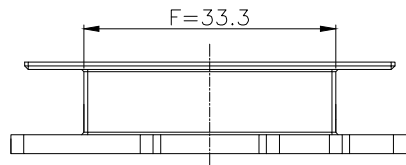
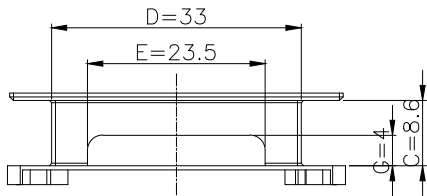
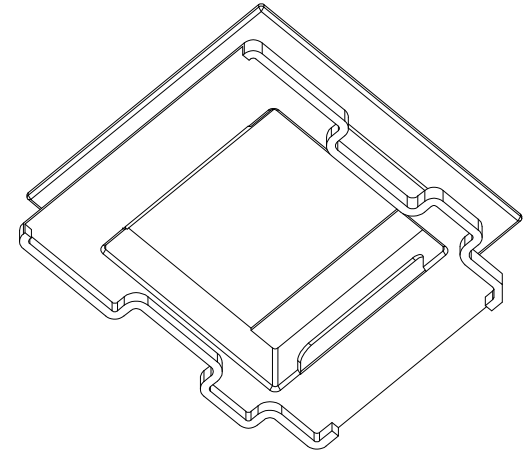


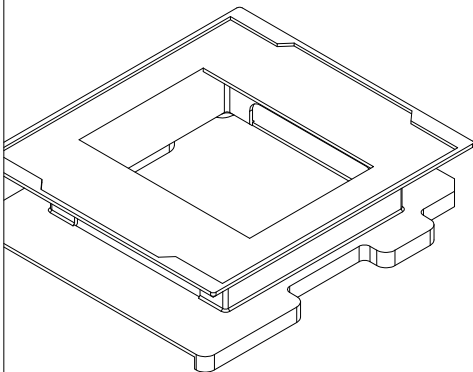
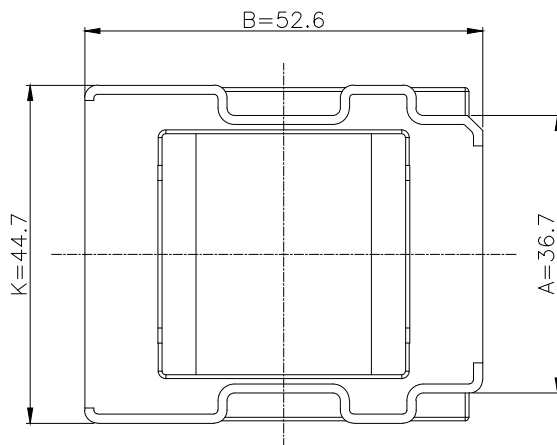
SECTION B-B



SECTION C-C



SECTION A-A



NOTE : EPC 43\*44 (12P) "H" (ㄱ자핀 보빈 도번 7052-00)과 조립됨.

MARK	REVISION NOTE	DATE	DRAWN	CHECKED	APPROVED	
4						
3						
2						
1						
DRAWN	CHECKED	APPROVED	MATERIAL : PET	UL REC. : UL94V-0	THIRD ANGLE PROJ.	SCALE : 1/1
DS, Kim	HS, Lee	JB, Lim		DATE : 2010.10.18	TOLERANCE : ±0.2 (Unless otherwise specified)	UNIT : m/m
주식회사 대흥보빈 DAE HEUNG BOBBIN CO., LTD			TITLE EPC 4344 CAP (E)		DWG NO DH-101111-7052-08	